

## NEW PRODUCT BULLETIN

# Fill Limit Valve

Replaces many common fill limit valves

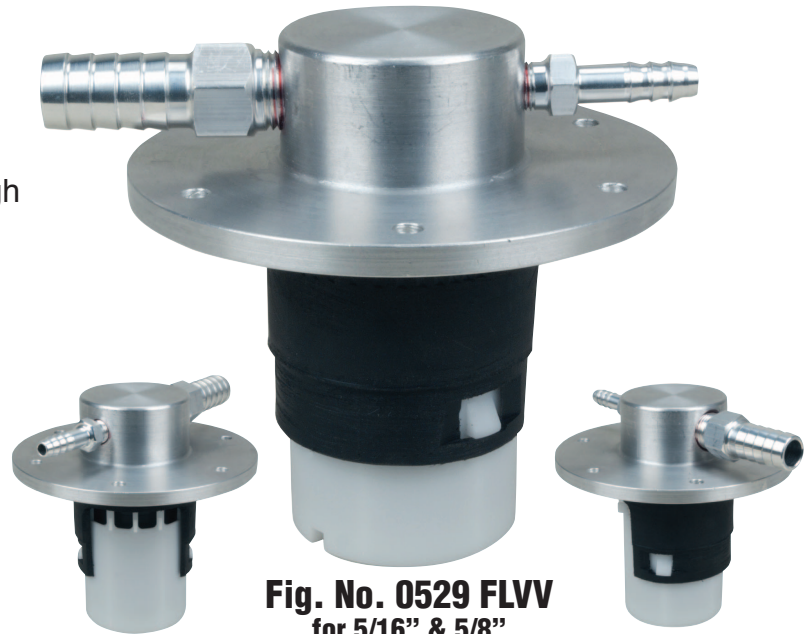
**NEW  
PRODUCT**

### Features:

- Can be used to push refueling vapors through a canister.
- Two Hose Barbs (5/16" & 5/8" Connections).
- Three Standard Ullage Depths: 3/4", 1-1/8" and 1-1/2".
- Manufactured from Corrosion Resistant Aluminum.
- Large Diameter 6-bolt Flange FLVV.

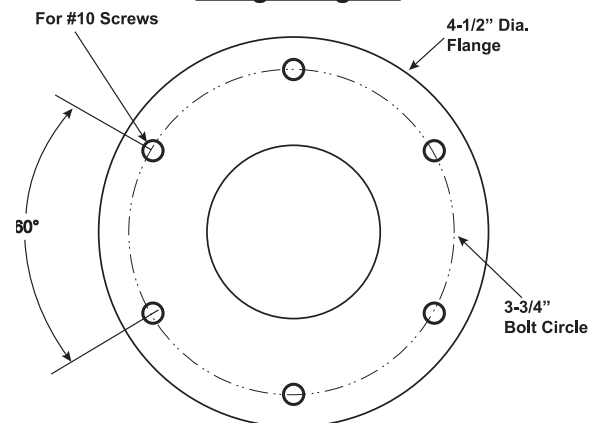
### Tech Specs:

- Flange Diameter: 4-1/2"
- Bolt Circle: 3-3/4"
- Valve Body Diameter: 2-3/8"
- Mounting Hole Diameter: 2-1/2"
- Projection Above the Tank: 1-3/8"
- Mounting Screw Size: #10



**Fig. No. 0529 FLVV**  
for 5/16" & 5/8"  
Hose Connections

### Flange Diagram



Catalog No.	Style	Ullage Depth	Height Overall	Flange Dia.	Projection Above Tank
0529FV0034	Flanged	3/4"	4-1/2"	4-1/2"	1-3/8"
0529FV0118	Flanged	1-1/8"	4-7/8"	4-1/2"	1-3/8"
0529FV0112	Flanged	1-1/2"	5-1/4"	4-1/2"	1-3/8"

Note: For custom ullage depths, contact the factory.

